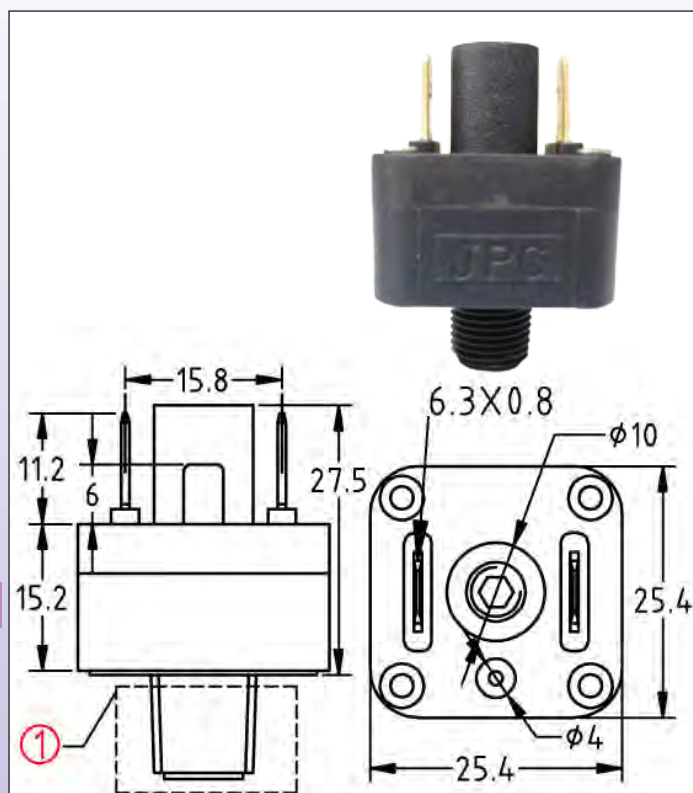


Slow action contact miniature pressure switches, 6.3 x 0.8 mm QC terminals, plastic fitting SPNC contact : Type ZA

DIMENSIONS



Uses: Low voltage, high sensitivity

Main applications: Electronic circuits. Pressure sensing on water heaters. This pressure switch is more sensible than snap action models and can be calibrated at lower pressure values. Very small differential.

Membranes: EPDM, dia 22 mm. Silicone or NBR on request

Fluid: water or air

Fitting: Plastic

Pressure: positive

Housing: PA66, UL94 VO

Contact: single pole normally close, slow break.

Electrical rating:

- Silver contact: max 1A 250V

- Gold plated contact: max 100 mA, 24V

Action: momentary, open on pressure rise.

Set point calibration: factory calibrated and sealed, not field adjustable

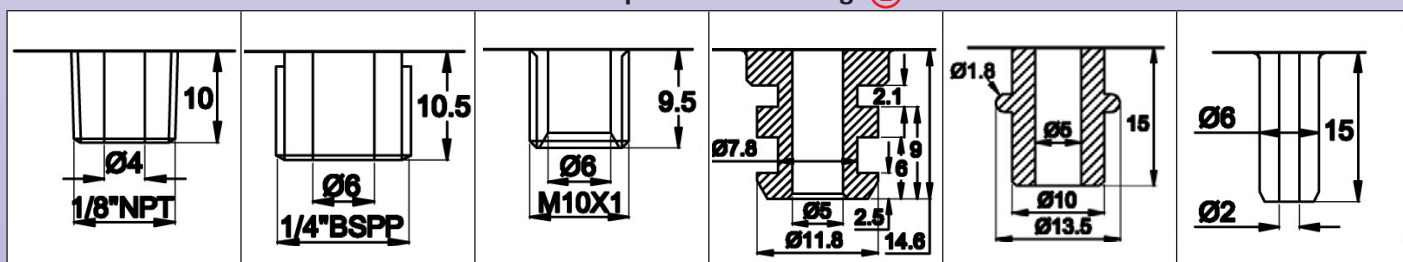
Set point calibration limits: standard calibration 150mbar, other values are achievable from 100 to 1300 mbar

Electrical connection: 6.35 x 0.8 mm quick connect terminals

Maximum pressure: 2 bars (29 PSI)

Ambient temperature limits: 0 to 85°C

Available pressure inlet fittings ①



References (with calibration at 150 mbar):

Pressure inlet	Silver contact	Gold plated contact
1/8" NPT	ZA2X18EA0A500000	ZA2X18EG0A500000
1/4" BSPP	ZA2X1QEA0A500000	ZA2X1QEG0A500000
M10 x 1	ZA2X1MEA0A500000	ZA2X1MEG0A500000
Snap in fitting, 2 grooves dia 7.8	ZA2X1TEA0A500000	ZA2X1TEG0A500000
Snap in fitting, 1 groove dia 10	ZA2X1ZEA0A500000	ZA2X1ZEG0A500000
Snap in fitting, 1 spout dia 6 mm	ZA2X1AEA0A500000	ZA2X1AEG0A500000

Other set point values: replace A50 in the product reference by the requested value in mbar