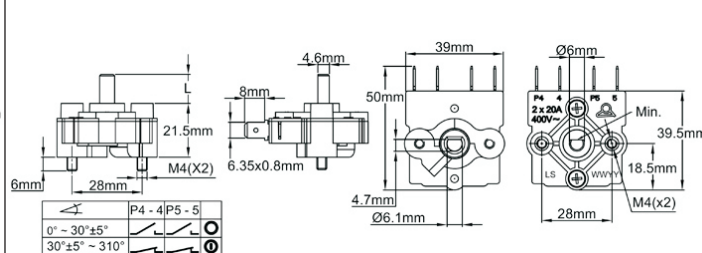
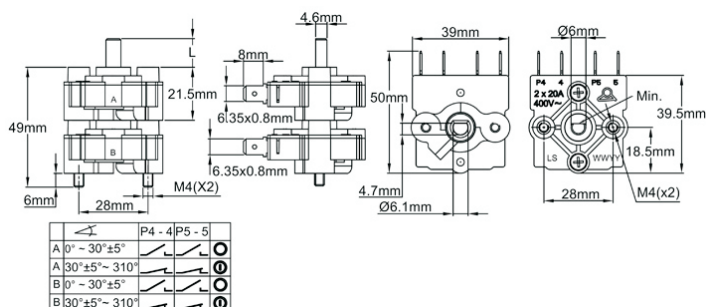
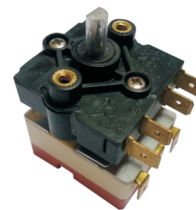


## LS Type Additional thermostat shaft switch, 20A 250-400V



These on-off switches are designed to be added on thermostat shafts. They provide off position when the thermostat shaft is at the minimum position. They are available in single pole contact, two pole (one level) and three pole or four-pole contact (two levels).

### Main features

**Installation:** on thermostats with 6mm shaft and 4.6mm flat, mounting by two M4 screws 28mm distance. Shaft length of thermostat that receives this switch must be 12mm maximum.

**Shaft lengths available:** 11.5; 15; 23mm

**Shafts:** Galvanized steel

**Operation diagram:** the contacts are closed between 0° and 30 + / - 5° angular and open between this value and 310°.

**Electrical rating:** 20A 250/ 400V res. , 6000 cycles

**Rotation:** can be used on thermostats with 180 to 310° angular shaft rotation

**Contact clearance:** between 0 and 20 ° angle, the contact spacing is greater than 3mm.

**Temperature:** 85°C

**Case Material:** PA66, UL94 VO

**Connection:** 6.35x0.8 tabs. Screw terminals available (MOQ)

**Options:** change of flat position, different contact opening or closing positions

### Main references with 6.3 tabs\*

Switches	L=11.5mm	L=15mm	L=23mm
1	LS12190259025160	LS15190259025160	LS23190259025160
2	LS12290259025160	LS15290259025160	LS23290259025160
3 (2 levels)	LS12390259025160	LS15390259025160	LS23390259025160
4 (2 levels)	LS12390259025160	LS15390259025160	LS23390259025160

\*Screw terminals option: replace 60 by V0 on the last 2 numbers in the product reference

### Footprint with screw terminals

