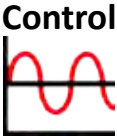

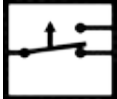

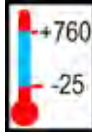
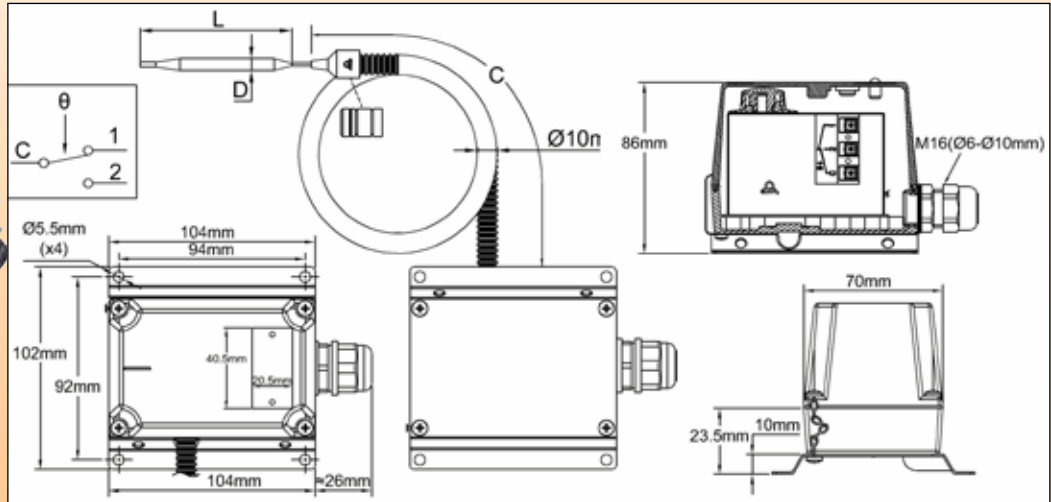


The Y1 range of thermostats with IP65 enclosures

Bulb and capillary thermostats (Liquid expansion measurement)

| Type | Adjustment | Contact | Measurement | Range °C | Model |
|--|---|--|---|---|--|
| Control  | Internal  | Single pole  | Remote  |  | Y1G Thermostat KR, KU |



Applications:

Remote control in usual industrial application and environment, not hazardous areas.

Internal adjustment is convenient for products that must not be frequently adjusted.

Withstand very low ambient temperatures

Long electrical and mechanical life model

Housing: Aluminum, IP65, IK10, 104 x 102 x 86 mm. Mounted on a SUS304 stainless steel wall mounting plate. Grey RAL7032 epoxy painting

Set point adjustment ranges: -25+25°C (-15+80°F), -10+15°C (15-60°F), 0-50°C (32-120°F), 0-70°C (32-160°F), 20-90°C (70-195°F), 10-150°C (50-300°F), 80-200°C (175-390°F), 50-300°C (120-570°F), 10-450°C (50-840°F), 60-500°C (140-930°F), 180-600°C (360-1110°F), 280-700°C (540-1290°F).

Temperature adjustment: Set point adjustable by temperature printed **internal knob**. Shipped with °C printed skirt fitted on the knob, and °F printed skirt in spare part. Printed skirt is replaceable without tool.

Action: temperature control.

Sensing element: Liquid expansion bulb and capillary. The capillary is protected by a stainless steel corrugated pipe terminated by a silicone tip. A plastic cap plug provided as standard accessory allows locking the flexible metal conduit inside a pocket (See pockets in the accessories section)

Electrical connections: Internal, on screw terminal connection block

Earthing: on internal screw terminal

Cable output: M16 cable gland, PA66, for cables up to 10 mm dia.

Mounting: Wall mounting, by 4 holes for screws dia. 4 to 5 mm, 94 x 92 mm distance

Identification: 20 x 40 mm stainless steel identification label, riveted.

Contact: SPDT

Rating: 15A res. 230/400VAC, electrical life >500.000 cycles.

Reduced differential models cannot be used in 400VAC

Storage minimum temperature: -50°C (-60°F)

Main references

| Temperature range °C (°F) | Standard differential | | Reduced differential | | Capillary length (C, mm) | Bulb diameter (D, mm) | Bulb length (E, mm) | Max. temperature on bulb °C (°F) |
|---------------------------|-----------------------|----------------------|----------------------|----------------------|--------------------------|-----------------------|---------------------|----------------------------------|
| | References | Differential °C (°F) | References | Differential °C (°F) | | | | |
| -25+25°C (-15+80°F) | Y1GKRA-25025220G | 3±2°C (5.5±3.6 °F) | Y1GKUA-25025220G | 2±1°C (3.6±1.8 °F) | 1500 | 6.4 | 152 | 50°C (120°F) |
| -10+15°C (15-60°F) | Y1GKRA-10015220G | 3±2°C (5.5±3.6 °F) | Y1GKUA-10015220G | 2±1°C (3.6±1.8 °F) | 1500 | 6.4 | 152 | 50°C (120°F) |
| 0-50°C (32-120°F) | Y1GKRA000050200G | 3±2°C (5.5±3.6 °F) | Y1GKUA000050200G | 2±1°C (3.6±1.8 °F) | 1500 | 6.4 | 152 | 60°C (140°F) |
| 0-70°C (32-160°F) | Y1GKRA000070520G | 5±3°C (9±5.4°F) | Y1GKUA000070520G | 3±2°C (5.5±3.6 °F) | 1500 | 4.8 | 130 | 160°C (320°F) |
| 0-70°C (32-160°F) | Y1GKRA000070120G | 5±3°C (9±5.4°F) | Y1GKUA000070120G | 3±2°C (5.5±3.6 °F) | 3000 | 4.8 | 130 | 160°C (320°F) |
| 20-90°C (70-195°F) | Y1GKRA020090500G | 5±3°C (9±5.4°F) | Y1GKUA020090500G | 3±2°C (5.5±3.6 °F) | 1500 | 4.8 | 130 | 160°C (320°F) |
| 20-90°C (70-195°F) | Y1GKRA020090100G | 5±3°C (9±5.4°F) | Y1GKUA020090100G | 3±2°C (5.5±3.6 °F) | 3000 | 4.8 | 130 | 160°C (320°F) |
| 10-150°C (50-300°F) | Y1GKRA010150500G | 5±3°C (9±5.4°F) | Y1GKUA010150500G | 3±2°C (5.5±3.6 °F) | 1500 | 4.8 | 130 | 160°C (320°F) |
| 10-150°C (50-300°F) | Y1GKRA010150100G | 5±3°C (9±5.4°F) | Y1GKUA010150100G | 3±2°C (5.5±3.6 °F) | 3000 | 4.8 | 130 | 160°C (320°F) |
| 80-200°C (175-390°F) | Y1GKRA080200010G | 10±4°C (18±7°F) | Y1GKUA080200010G | 7±3°C (12.5±5.4 °F) | 1500 | 4 | 100 | 320°C (610°F) |
| 50-300°C (120-570°F) | Y1GKRA050300010G | 10±4°C (18±7°F) | Y1GKUA050300010G | 7±3°C (12.5±5.4 °F) | 1500 | 4 | 100 | 320°C (610°F) |
| 10-450°C (50-840°F) | Y1GKRA010450700G | 20±6°C (36±11°F) | Y1GKUA010450700G | 12±4°C (22±7 °F) | 1500 | 4.8 | 120 | 760°C (1400°F) |
| 10-450°C (50-840°F) | Y1GKRA010450900G | 20±6°C (36±11°F) | Y1GKUA010450900G | 12±4°C (22±7 °F) | 3000 | 4.8 | 120 | 760°C (1400°F) |
| 60-500°C (140-930°F) | Y1GKRA060500700G | 20±6°C (36±11°F) | Y1GKUA060500700G | 12±4°C (22±7 °F) | 1500 | 4.8 | 120 | 760°C (1400°F) |
| 60-500°C (140-930°F) | Y1GKRA060500900G | 20±6°C (36±11°F) | Y1GKUA060500900G | 12±4°C (22±7 °F) | 3000 | 4.8 | 120 | 760°C (1400°F) |
| 180-600°C (360-1110°F) | Y1GKRA180600700G | 20±6°C (36±11°F) | Y1GKUA180600700G | 12±4°C (22±7 °F) | 1500 | 4.8 | 120 | 760°C (1400°F) |
| 180-600°C (360-1110°F) | Y1GKRA180600900G | 20±6°C (36±11°F) | Y1GKUA180600900G | 12±4°C (22±7 °F) | 3000 | 4.8 | 120 | 760°C (1400°F) |
| 280-700°C (540-1290°F) | Y1GKRA280700700G | 20±6°C (36±11°F) | Y1GKUA280700800G | 12±4°C (22±7 °F) | 1500 | 3 | 300 | 760°C (1400°F) |

Because of permanent improvement of our products, drawings, descriptions, features used on these data sheets are for guidance only and can be modified without prior advice

