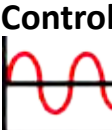
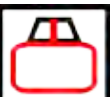
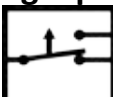

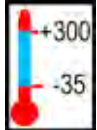
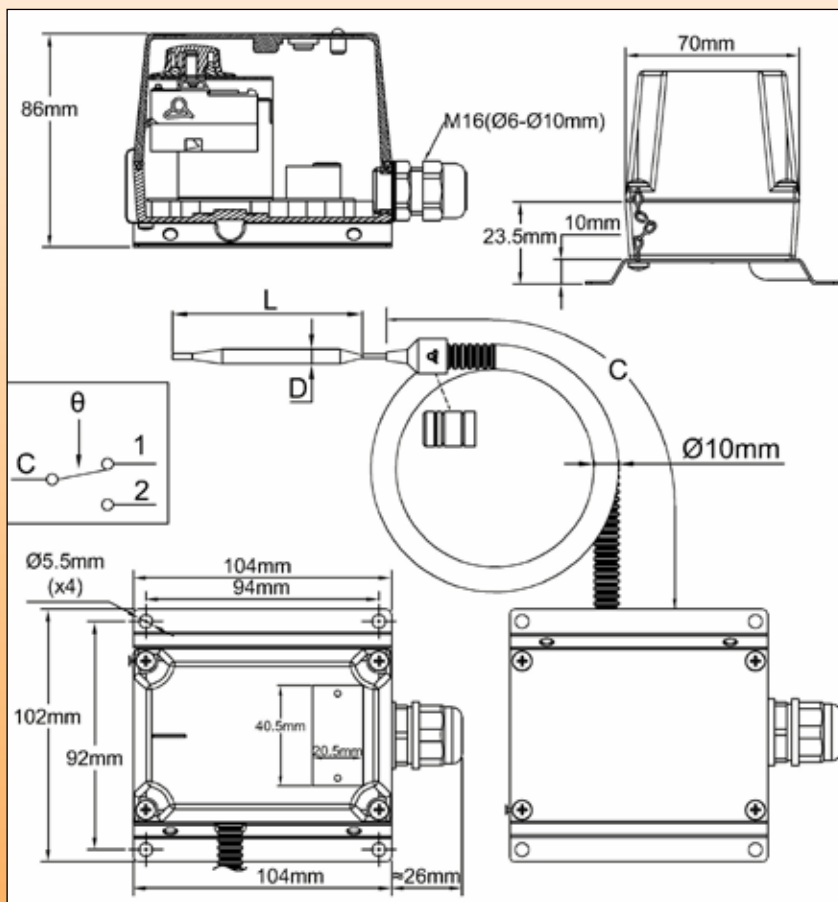


The Y1 range of thermostats with IP65 enclosures

Bulb and capillary thermostats (Liquid expansion measurement)

Type	Adjustment	Contact	Measurement	Range °C	Model
Control 	Internal 	Single pole 	Remote 		Y1G Thermostat 8G



Applications:

Remote control in usual industrial application and environment, not hazardous areas.

Internal adjustment is convenient for products that must not be frequently adjusted.

Standard electrical and mechanical life model

Housing: Aluminum, IP65, IK10, 104 x 102 x 86 mm. Mounted on a SUS304 stainless steel wall mounting plate. Grey RAL7032 epoxy painting

Set point adjustment ranges: -35+35°C (-30+95°F), -10+40°C (15-105°F), 4-40°C (40-105°F), 30-90°C (85-195°F), 30-110°C (85-230°F), 50-200°C (120-390°F), 50-300°C (120-570°F).

Temperature adjustment: Set point adjustable by temperature printed **internal knob**. Shipped with °C printed skirt fitted on the knob, and °F printed skirt in spare part. Printed skirt is replaceable without tool.

Action: temperature control.

Sensing element: Liquid expansion bulb and capillary. The capillary is protected by a stainless steel corrugated pipe terminated by a silicone tip. A plastic cap plug provided as standard accessory allows locking the flexible metal conduit inside a pocket (See pockets in the accessories section)

Electrical connections: Inside, on screw terminal connection block

Earthing: on internal screw terminal

Cable output: M16 cable gland, PA66, for cables up to 10 mm dia.

Mounting: Wall mounting, by 4 holes for screws dia. 4 to 5 mm, 94 x 92 mm distance

Identification: 20 x 40 mm stainless steel identification label, riveted.

Contact: SPDT

Electrical rating:

- Open on temperature rise contact (C-1) 16A(2.6) 250VAC

- Close on temperature rise contact (C-2) 6A(0.6) 250VAC

- Electrical life > **100.000 cycles**.

Cannot be used in 400VAC

Minimum Storage temperature: -35°C (-30°F)

Main references

Temperature adjustment ranges °C (°F)	References	Differential °C (°F)	Capillary length (C, mm)	Bulb diameter (D, mm)	Bulb length (E, mm)	Max. temperature on bulb °C (°F)
-35+35°C (-30+95°F)	Y1G8GB-35035AO6G	3±2°C (5.5±3.6 °F)	1500	6	98	55°C (130°F)
-10+40°C (15-105°F)	Y1G8GB-10040AO6G	3±2°C (5.5±3.6 °F)	1500	6	120	60°C (140°F)
4-40°C (40-105°F)	Y1G8GB00404AO6G	3±2°C (5.5±3.6 °F)	1500	6	140	60°C (140°F)
30-90°C (85-195°F)	Y1G8GB030090AO6G	4±3°C (7±5.5 °F)	1500	6	87	120°C (250°F)
30-110°C (85-230°F)	Y1G8GB030110AO6G	5±3°C (9±5.5 °F)	1500	6	83	150°C (300°F)
50-200°C (120-390°F)	Y1G8GB050200AO6G	8±5°C (14.5±9 °F)	1500	6	59	250°C (480°F)
50-300°C (120-570°F)	Y1G8GB050300AO3G	10±5°C (18±9 °F)	1500	3	165	350°C (660°F)

