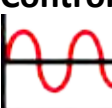

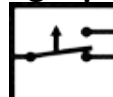

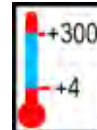
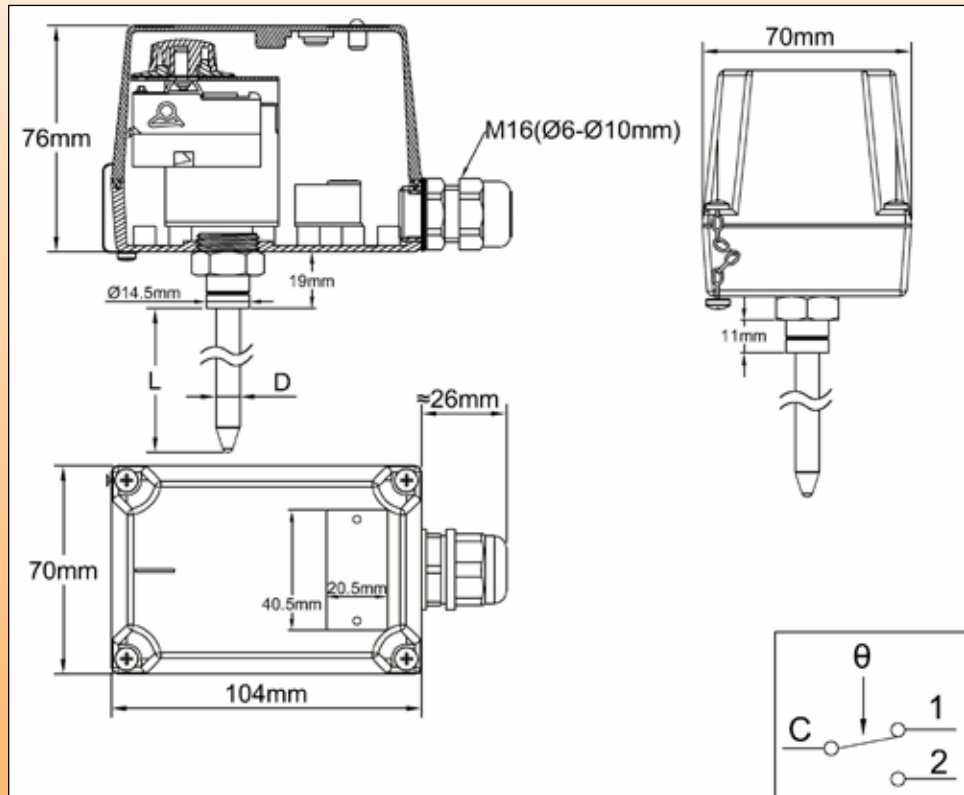


The Y1 range of thermostats with IP65 enclosures

Rod thermostats (Liquid expansion measurement)

| Type | Adjustment | Contact | Measurement | Range °C | Model |
|--|---|--|--|---|--|
| Control  | Internal  | Single pole  | Rod  |  | Y1R Thermostat 8G |



Applications:

These **liquid expansion** rod thermostats can be installed inside pockets as immersion thermostats in pipelines and containers, and for monitoring temperature in air ducts, in usual industrial application and environment. (Not suitable for hazardous areas).

- **Internal adjustment is convenient for products that must not be frequently adjusted.**

- **Insensibility to strong vibrations**

Standard electrical and mechanical life model

Housing: Aluminum, IP65, IK10, 104 x 70 x 76mm. Grey RAL7032 epoxy painting

Set point adjustment ranges: 4-40°C (40-105°F), 30-90°C (85-195°F), 30-110°C (85-230°F), 50-200°C (120-390°F), 50-300°C (120-570°F).

Temperature adjustment: Set point adjustable by temperature printed **internal knob**. Shipped with °C printed skirt fitted on the knob, and °F printed skirt in spare part. Printed skirt is replaceable without tool.

Action: temperature control.

Sensing element: Liquid expansion rod. This rod has a non-temperature sensing zone named dead zone which allows thermal insulation crossing. An increased diameter under the thermostat head allows mounting pockets or brackets (See pockets in the accessories section)

Electrical connections: on screw terminal connection block

Earthing: on internal screw terminal

Cable output: M16 cable gland, PA66, for cables up to 10 mm dia.

Mounting: on pockets for liquid immersion or flange for air ducts

Identification: 20 x 40 mm stainless steel identification label, riveted.

Contact: SPDT

Electrical rating:

- Open on temperature rise contact (C-1) 16A(2.6) 250VAC

- Closeon temperature rise contact (C-2) 6A(0.6) 250VAC

- Electrical life >100.000 cycles.

Cannot be used in 400VAC

Minimum Storage temperature: -35°C (-30°F)

Main references

| Temperature adjustment ranges °C (°F) | References | Differential °C (°F) | Rod length (C, mm) | Rod diameter (D, mm) | Temperature sensing length (E, mm) | Max. temperature on rod °C (°F) |
|---------------------------------------|------------------|----------------------|--------------------|----------------------|------------------------------------|---------------------------------|
| 4-40°C (40-105°F) | Y1R8GB004040023C | 3±2°C (5.5±3.6 °F) | 230 | 10 | 140 | 60°C (140°F) |
| 4-40°C (40-105°F) | Y1R8GB004040030C | 3±2°C (5.5±3.6 °F) | 300 | 10 | 140 | 60°C (140°F) |
| 30-90°C (85-195°F) | Y1R8GB030090011C | 4±3°C (7±5.5 °F) | 110 | 10 | 87 | 120°C (250°F) |
| 30-90°C (85-195°F) | Y1R8GB030090023C | 4±3°C (7±5.5 °F) | 230 | 10 | 87 | 120°C (250°F) |
| 30-90°C (85-195°F) | Y1R8GB030090030C | 4±3°C (7±5.5 °F) | 300 | 10 | 87 | 120°C (250°F) |
| 30-110°C (85-230°F) | Y1R8GB030110011C | 5±3°C (9±5.5 °F) | 110 | 10 | 83 | 150°C (300°F) |
| 30-110°C (85-230°F) | Y1R8GB030110023C | 5±3°C (9±5.5 °F) | 230 | 10 | 83 | 150°C (300°F) |
| 30-110°C (85-230°F) | Y1R8GB030110030C | 5±3°C (9±5.5 °F) | 300 | 10 | 83 | 150°C (300°F) |
| 50-200°C (120-390°F) | Y1R8GB050200023C | 8±5°C (14.5±9 °F) | 230 | 10 | 59 | 250°C (480°F) |
| 50-200°C (120-390°F) | Y1R8GB050200030C | 8±5°C (14.5±9 °F) | 300 | 10 | 59 | 250°C (480°F) |
| 50-200°C (120-390°F) | Y1R8GB050200045C | 8±5°C (14.5±9 °F) | 450 | 10 | 59 | 250°C (480°F) |
| 50-300°C (120-570°F) | Y1R8GB050300823C | 10±5°C (18±9 °F) | 230 | 8 | 165 | 350°C (660°F) |
| 50-300°C (120-570°F) | Y1R8GB050300830C | 10±5°C (18±9 °F) | 300 | 8 | 165 | 350°C (660°F) |
| 50-300°C (120-570°F) | Y1R8GB050300845C | 10±5°C (18±9 °F) | 450 | 8 | 165 | 350°C (660°F) |

