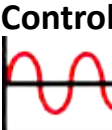

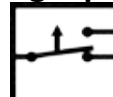

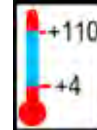
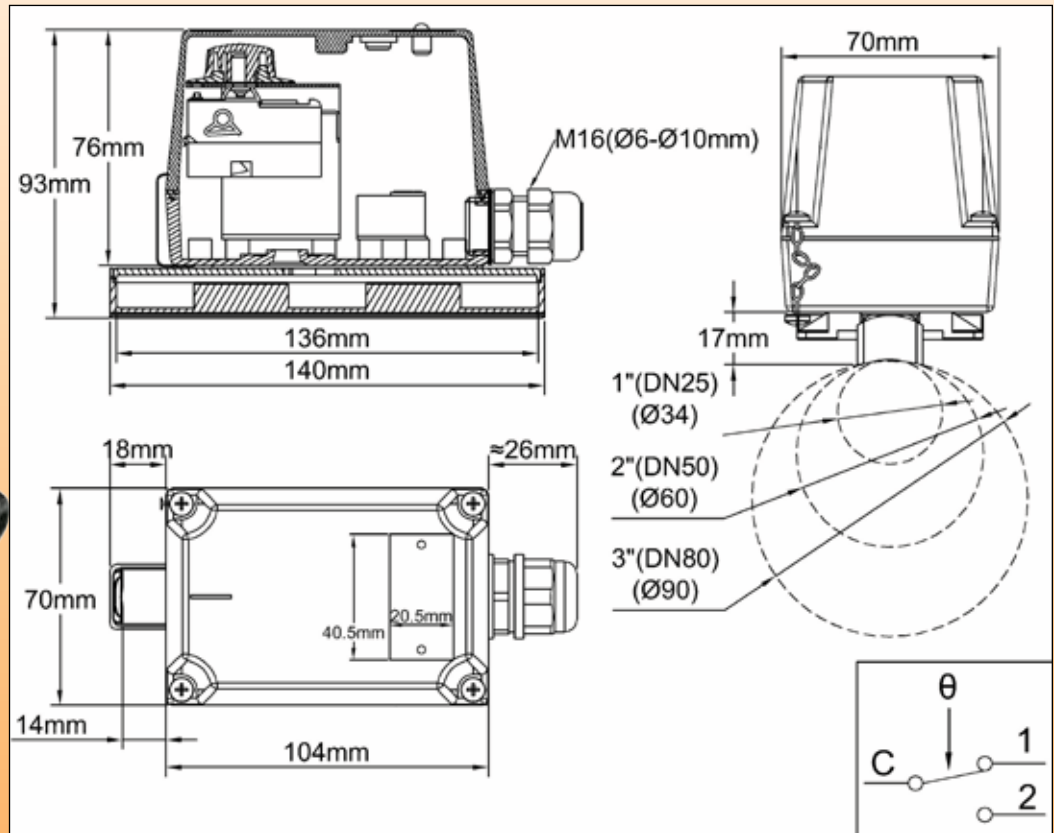


# The Y1 range of thermostats with IP65 enclosures

## Pipe temperature control thermostats (Liquid expansion measurement)

Type	Adjustment	Contact	Measurement	Range °C	Model
Control 	Internal 	Single pole 	Pipe mounting 		<b>Y10</b> <b>Thermostat</b> <b>8G</b>



### Applications:

Pipe surface temperature control in usual industrial application and environment, (Not suitable for hazardous areas)

**Internal adjustment is convenient for products that must not be frequently adjusted.**

*Standard electrical and mechanical life model*

**Housing:** Aluminum, IP65, IK10, 104 x 102 x 86 mm, with backside pipe mounting temperature sensing aluminum bracket Grey RAL7032 epoxy painting

**Set point adjustment ranges:** -4-40°C (40-105°F), 30-90°C (85-195°F), 30-110°C (85-230°F).

**Temperature adjustment:** Set point adjustable by temperature printed **internal knob**. Shipped with °C printed skirt fitted on the knob, and °F printed skirt in spare part. Printed skirt is replaceable without tool.

**Action:** Temperature control.

**Sensing element:** Liquid expansion bulb inside aluminum bracket in contact with the pipe surface.

The bracket design provides optimized thermal contact with 34 mm (1", DN25), 60 mm (2", DN50) and 90 mm (3", DN80) outside diameter tubes. For intermediate sizes, we recommend the use of thermal grease

**Electrical connections:** Internal, on screw terminal connection block

**Earthing:** On internal screw terminal

**Cable output:** M16 cable gland, PA66, for cables up to 10 mm dia.

**Mounting:** The thermostat housing can be fixed on the pipe by worm drive hose clamps (DIN3017), nylon cable ties (Tie wraps upon EN50146, for applications at permanent temperature lower than 85°C), or specific stainless steel punched band (see accessories at the end of this catalog)

**Identification:** 20 x 40 mm stainless steel identification label, riveted.

**Contact:** SPDT

**Electrical rating:**

- Open on temperature rise contact (C-1) 16A(2.6) 250VAC

- Close on temperature rise contact (C-2) 6A(0.6) 250VAC

- Electrical life > **100.000 cycles**.

Cannot be used in 400VAC

**Minimum Storage temperature:** -35°C (-30°F)

## Main references

Temperature adjustment ranges °C (°F)	References	Differential °C (°F)	Max. temperature on tube °C (°F)
4-40°C (40-105°F)	Y108GB004040AA6T	3±2°C (5.5±3.6 °F)	60°C (140°F)
30-90°C (85-195°F)	Y108GB030090AA6T	4±3°C (7±5.5 °F)	120°C (250°F)
30-110°C (85-230°F)	Y108GB030110AA6T	5±3°C (9±5.5 °F)	150°C (300°F)

Because of permanent improvement of our products, drawings, descriptions, features used on these data sheets are for guidance only and can be modified without prior advice

