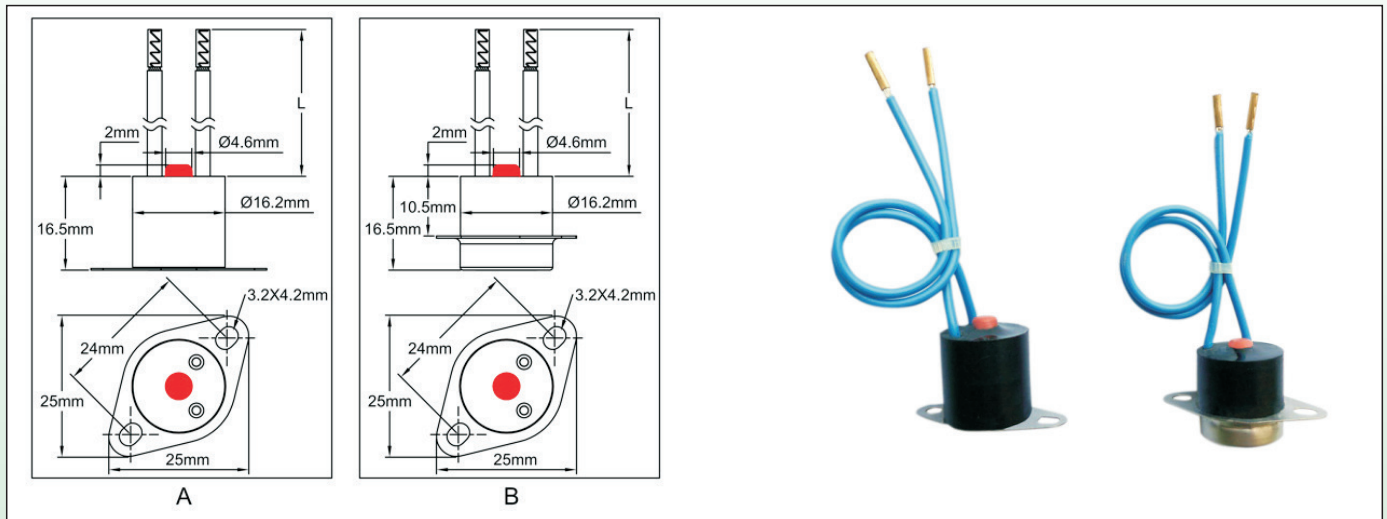


2015 New products

Waterproof manual reset disc thermostats

Type 4REMR



Applications

Manual reset safety thermostats, for applications where there are risks of condensation or water drops. The thermostat body, including the cup crimping zone, is inside an epoxy potting. The manual reset button is accessible by a small silicone cap partially embedded in the epoxy resin. The 2 wire output, in addition to protection against ingress of water, also protects users against accidental contact with live terminals.

Main features

Thermostat Housing: High temperature black epoxy, diameter 16.2 mm. Good UV resistance. Excellent wire pull strength. Maximum ambient temperature 120 °C.

Temperature sensing cup: Stainless steel, not over-molded to improve temperature measurement. (Achievable in aluminum on request)

Contact: SPNC, open on temperature rise.

Reset: Manual

Electrical rating: 10A resistive, 250VAC, 1000 cycles.

Wires: XLPE insulated, 300V, AWG16 (1.5mm²), stranded, temperature resistance 125°C, according to UL3266.

Wire terminations: Stripped on 6mm (wire end terminals or other terminals on request)

Calibration temperatures: Available on request from 40 to 120°C. Standard tolerances +/- 5 ° C. MOQ 1000 pieces applicable for specific values.

Product identification: Reference label on the wires and coded date on the thermostat cup

Mounting: Two modes: flat bracket (type A) for measuring surface temperature, or extended cup bracket (type B) for through wall measurement .

Main references with 1 meter wires, T125°C XLPE, AWG16 (1.5mm²).

References	Open	Tolerance	Bracket style	Bracket material
4REMRR055DBSY100	55°C/131°F	±3°C/±5.4°F	B	Stainless steel
4REMRR065DBSY100	65°C/149°F	±4°C/±7.2°F	B	Stainless steel
4REMRR075DBSY100	75°C/167°F	±4°C/±7.2°F	B	Stainless steel
4REMRR085DBSY100	85°C/185°F	±4°C/±7.2°F	B	Stainless steel
4REMRR090DBSY100	90°C/194°F	±4°C/±7.2°F	B	Stainless steel
4REMRR120DBSY100	120°C/248°F	±4°C/±7.2°F	B	Stainless steel
4REMRR055DASY100	55°C/131°F	±3°C/±5.4°F	A	Stainless steel
4REMRR065DASY100	65°C/149°F	±4°C/±7.2°F	A	Stainless steel
4REMRR075DASY100	75°C/167°F	±4°C/±7.2°F	A	Stainless steel
4REMRR085DASY100	85°C/185°F	±4°C/±7.2°F	A	Stainless steel
4REMRR090DASY100	90°C/194°F	±4°C/±7.2°F	A	Stainless steel
4REMRR120DASY100	120°C/248°F	±4°C/±7.2°F	A	Stainless steel

Because of permanent improvement of our products, drawings, descriptions, features used on these data sheets are for guidance only and can be modified without prior advice