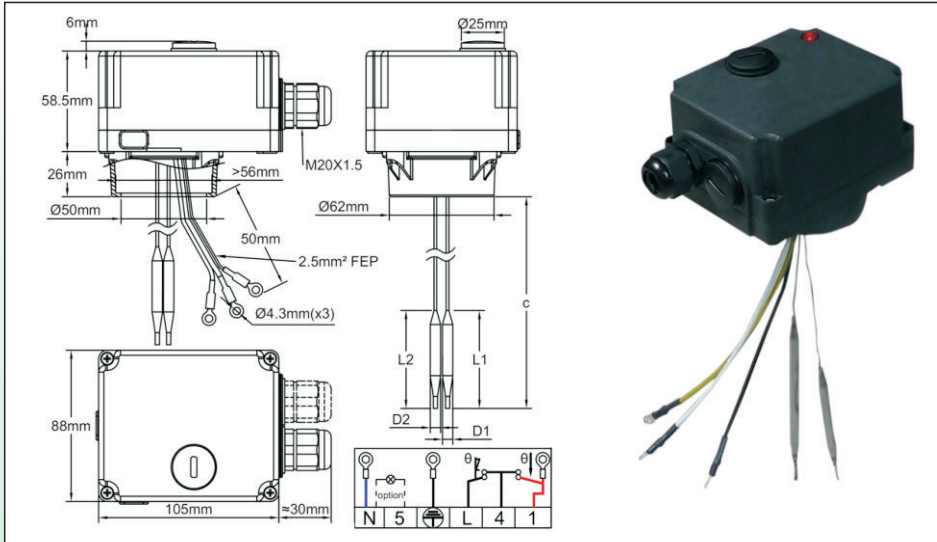


# 2015 New products

## Combination of adjustable set point thermostat and manual reset high limit, IP54 commercial housing, type Y08

### With immersion heater mounting bracket



#### Main applications:

Control sub-assembly designed to be fitted directly on standard immersion heaters. Power up to 3500W, 230V, single phase.

**Housing:** IP54, 105 x 88 x 84.5 mm, (Cap, accessories and cable gland not included), black PC-ABS, UL94V0. High impact and UV resistance.

Product including an adjustable temperature control thermostat and a fixed setting high limit manual reset thermostat. Manual reset has access from outside, by removing a cap.

**Electrical input:** one M20 cable gland.

**Temperature Adjustment:** Inside, with °C printed knob. (°F printed knobs available in option)

**Sensing elements:** Liquid filled bulbs, dia. 6mm, with output on backside, for mounting inside immersion heater pockets

**Adjustment ranges:** 0-60°C (32-140°F); 30-90°C (85-195°F); 30-110°C (90-230°F)

**Sensing element output lengths (C):** 500mm (standard), other lengths from 150mm to 800mm available on request

#### Electrical connections:

- Power supply (Neutral, Line, Ground), on 6mm² screw terminals.
- Immersion heater: 3 wires, FEP 180°C insulated, 2.5mm², equipped with ring terminals, length 50mm on the immersion heater connection side, for direct connection on heating element M4 terminals. (Neutral wire is blue color)
- Pilot light (Option): can be connected by a strap on power supply, or on control thermostat output, or on safety thermostat output.

**Mounting:** by the backside extension, on the 50mm diameter hole, that can be used for immersion heaters with 1"1/2 thread or M45 thread, mounted by nut or by dia 56mm rotation ring (see fittings and accessories for immersion heaters in catalogue 2)

**Control thermostat contact:** Open on temperature rise contact (C-1) 16A(2.6) 250VAC

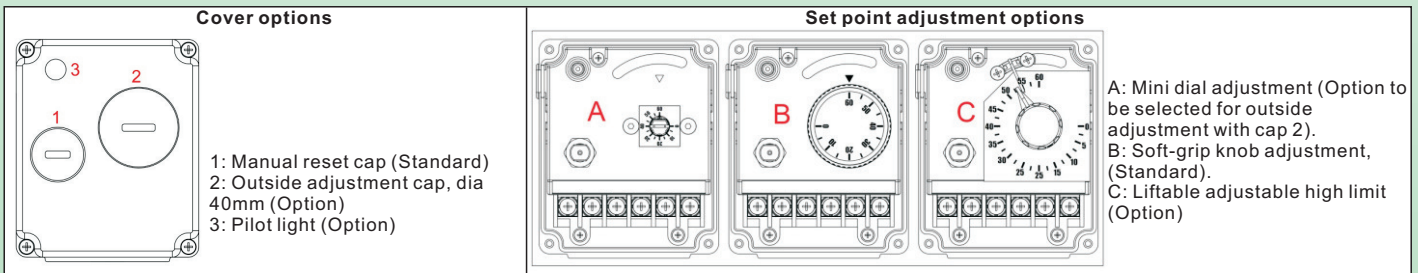
-Electrical life > 100.000 cycles.

**Manual reset thermostat contact:** Fail safe, open by temperature rise; 16A (2,6) 250V alt.

Control thermostat and manual reset thermostat contacts are in serial on the Line supply of immersion heater.

#### Options:

- Pilot light (230V)
- Lifiable adjustable high end adjustment on control thermostat.
- Outside access to the control thermostat adjustment (By removing a 40mm dia. cap)
- Thermal cut out for incorporation inside immersion heater pocket.



### Main references (with C = 200mm)

Temperature ranges °C (°F)	Manual reset calibration °C (°F)	Cap access manual reset	Cap access manual reset, lifiable adjustable high stop	Cap access manual reset, lifiable adjustable high stop, power supply "on" pilot (230V)	Differential °C (°F)	Max temperature on bulbs °C (°F)
0-60°C (32-140°F)	80°C (176°F)	Y08MS00060A20080	Y08ME00060A20080	Y08NE00060C20080	4±3 (7±5.5°F)	90 (195°F)
30-90°C (85-195°F)	110°C (230°F)	Y08MS30090A20110	Y08ME30090A20110	Y08NE30090C20110	4±3 (7±5.5°F)	120 (250°F)
30-110°C (90-230°F)	130°C (266°F)	Y08MS30110A20130	Y08ME30110A20130	Y08NE30110C20130	5±3 (9±7°F)	150 (300°F)

Other temperature ranges on request

Versions with °F printed knobs: replace S by T or E by G in the reference

### Knob and dial printings

Type	°C Printing			°F Printing		
	0-60°C	30-90°C	30-110°C	32-140°F	85-195°F	90-230°F
Standard softgrip knob						
Miniature knob dial for outside adjustment						
Adjustable stop big dial						